

Technical Data Sheet

All-In-One Single Wall Exhaust

SWKL

Product Line

SWKL – Single Wall Conical Joining Pipe & Fittings



Applications

Stainless steel all-in-one chimney, vent, or exhaust system for condensing boilers or those that use high temperatures not exceeding 1000°F continuous.

For connecting heating appliances and engines to the outdoors under negative or positive pressure.

Applicable for all fuels: gas, oil, wood, and any other solid fuels.



Purpose

Factory built eliminates welding in the field.

Assurance of finest quality and reliability.

UL Listings (and ULC)

- UL-103 Standard, Building Heating Appliance Chimney (Industrial Type 540°C Chimney)
- UL-103 & UL-2561 Standards, Additional Positive Pressure Listing to 90" WC after 1400°F
- UL-1978 Standard, Grease Duct (ULC-S662 Standard for Factory-Built Grease Ducts)
- UL-1738 Standard, Venting Systems for Gas-Burning Appliances, Categories II, III & IV (ULC-S636 Standard for Type BH Gas Venting Systems)
- UL-1777 Standard, Chimney Liners (ULC-S605 Standard for Lining Systems for Chimneys)

Materials

- Inner liner made of special ferritic high-grade ASTM 444 stainless steel.
 - 3" through 5" = 0.020" thick (SWKL-Lt variation)
 - 6" through 36" = 0.035" thick
- All supports and accessories are ASTM 304 stainless steel.

Connection / Installation Details

Conical 2.2" overlapping joint.

Requires tapping to fully engage.

Use KL-Paste, a ceramic and mineral oil based manufacturing paste, to help facilitate an easy engagement.

Does not use silicone or sealant to make the high pressure seal.

Features

- All-stainless with 25-year warranty.
- Leak proof conical high pressure joints.
- Cut length available for maximum field flexibility.
- Smooth flow and known resistance for perfected factory pressure calculations.

Technical Data Sheet

All-In-One Single Wall Exhaust

SWKL

Product Line

SWKL – Single Wall Conical Joining Pipe & Fittings



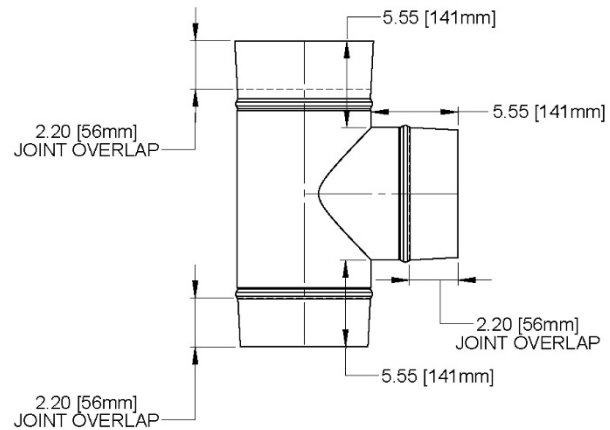
Product Specifications

SWKL – Single Wall Conical Joining Pipe & Fittings

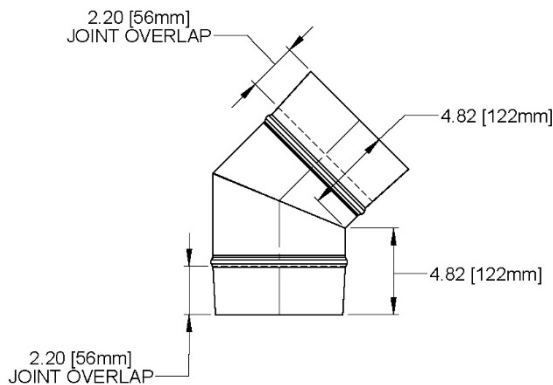
Diameters	3, 4, 5, 6, 7, 8, 9, 10, 11, 12, 13, 14, 16, 18, 20, 22, 24, 26, 28, 30, 32, 34, & 36
Available Lengths	9", 12", 18", 24", 30", 36", 42", & 48" (or any fixed length between)
Available Fittings	Any elbow or tee, over 80 catalog fittings per each diameter
Available Accessories	All-stainless supports, guides, hangers, and adapters – over 25 accessories per each diameter

Controlling Dimensions

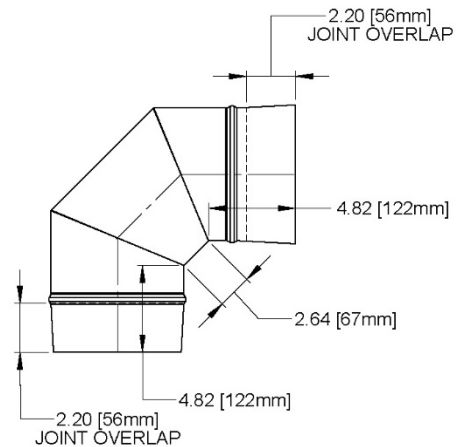
Shows the minimum (and standard) inside gore dimensions for fittings. Use these dimensions when ordering any special or custom part. Jeremias encourages custom built items to provide the best solutions to our customers.



90° TEE



45° ELBOW



90° ELBOW