

# Technical Data Sheet

## Flame Retardant Pressure Relief Valve

### PRVF

#### Product Line

PRVF - Flame Retardant Pressure Relive Valve



### Applications

Relief and monitoring of excessive pressure (backfire or delayed ignition of unburnt fuel) in engine exhaust, heating appliances, and other fuel fired equipment.

### Principle of Operation / Function / Purpose

The spring loaded plate keeps seal tight until pressure forces plate open.

A special material in packed area retards flames from protruding outwards.

A built-in switch alerts maintenance or plant personnel that a backfire has occurred.

### Classifications

NFPA37 the "Standard for the Installation and Use of Stationary Combustion Engines and Gas Turbines" specifies the use of protection against forces caused by the ignition of unburned fuel if the exhaust systems cannot withstand such<sup>1</sup>.

<sup>1</sup>Jeremias Engine Exhaust UL Installation Instructions shows an option to not requiring the use the Pressure Relief Valve by adding external stiffeners to elbows and fittings.



### Features

- All-stainless steel construction.
- Jeremias can factory set requested opening pressure before shipment, for example: 27", 41", 60", and 90" are common requested settings.
- Heavy duty design.
- Snubber Spring prevent main and top plate from damaging each other.

### Connection / Installation Details

Connection System: 125/150 Lb. flange pattern<sup>2</sup>.

Positioning: Do not allow condensate to lay at the gasket, suggest minimum 3-degree slow up.

<sup>2</sup>Standard Connection, see other variations above.

# Technical Data Sheet

## Flame Retardant Pressure Relief Valve

### PRVF

#### Product Line

PRVF - Flame Retardant Pressure Relive Valve



### Product Specifications

#### PRVF - Flame Retardant Pressure Relive Valve

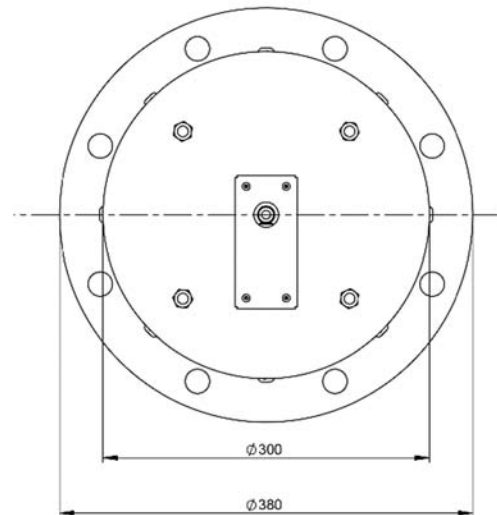
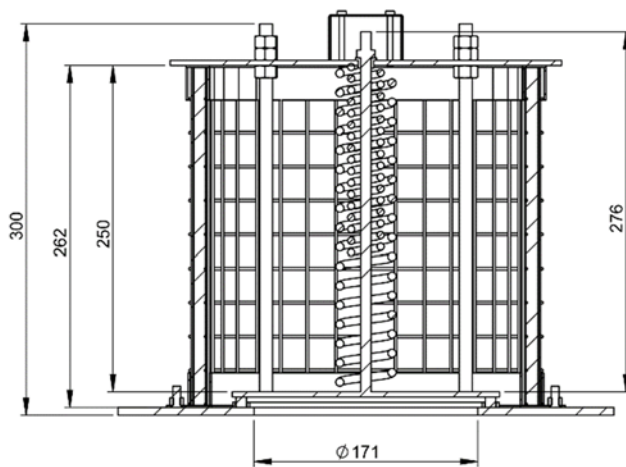
All parts exposed to flue gases are ASTM 316L stainless steel.

All other parts are ASTM 304 stainless steel.

	3	4	5	6	7	8	9	10
DIM AØ								
Dim BØ								
Dim CØ								
No. of Springs								

	11	12	13	14	15	16	17	18
DIM AØ								
Dim BØ								
Dim CØ								
No. of Springs								



#### Other variations include:

PRV Pressure Relive Valve without Flame Retardant and Switch, with ANSI Flange

PRVR Pressure Relive Valve with Rolled Flange (like PRV except rolled flange versus ANSI)