

Technical Data Sheet

Motorized Exhaust Damper

MED - GA

Product Line

MED-GAØ - Motor Exhaust Damper for Gas Appliances



Applications

Motor actuated gas vent damper for overpressure applications with wet exhaust conditions (Category IV Appliances). Reduction of cycle venting losses through boilers and draft hoods.



Purpose

The damper rod is externally turned by an actuator. The rod is connected to a damper blade that rotates to restrict exhaust flow.

Advantages

- Reducing boiler heat loss during standby.
- Condensate tight shaft.
- Two auxiliary switches.
- 0.85" WC max. static pressure (outer casing).

Classifications

- Temperature: Max. 392°F
- Pressure: 0.85" WC
- Classifications: ANSI Z21.66-2015, CSA6.14-2015 Class-C330503; Class-C330583
- 90° Run Times: 20 sec Open and 15 sec Close

Construction

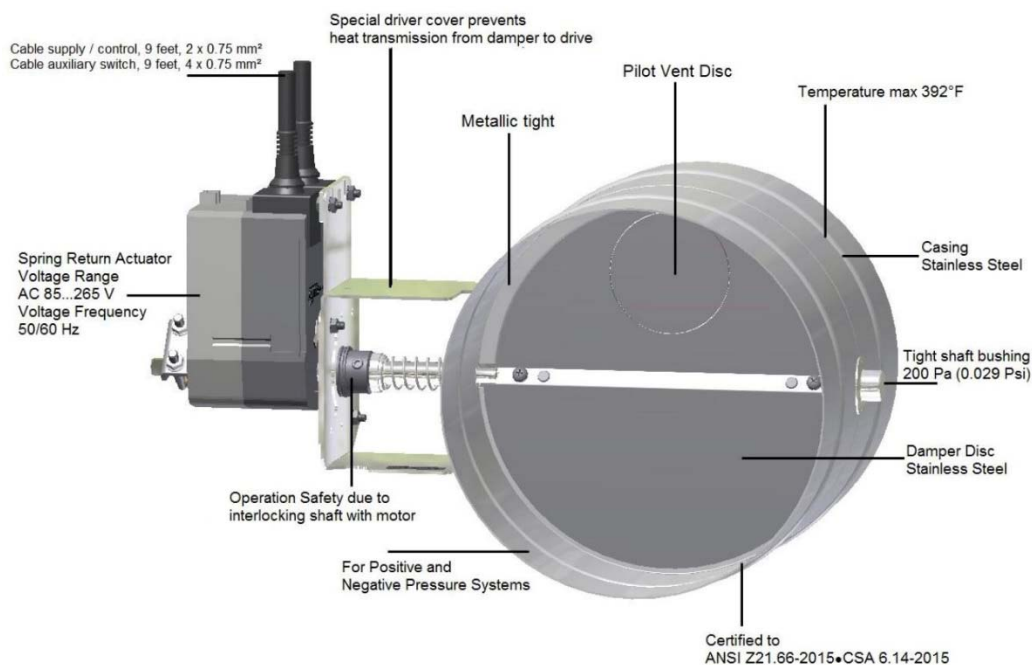
- All stainless steel construction.
- 0.03" - 0.06" thick ASTM 316L stainless steel housing.
- 0.06" thick (14 gage) ASTM 316L stainless steel blade and stiffener.
- 0.06" thick (14 gage) ASTM 316L blade stop (no seal, metal to metal).

Connection / Installation Details

- Connection System: KL coupler system.
- Positioning: horizontally or vertically – shaft must remain horizontal.
- Also available for appliances with pilot flame.

Features

- All-stainless steel construction.
- Heavy duty design.
- Disc is metallic tight to outer casing.
- Overload protected motor.
- Automatic stop.



Technical Data Sheet

Motorized Exhaust Damper

MED - GA

Product Line

MED-GAØ - Motor Exhaust Damper for Gas Appliances



Product Specifications

MED-GAØ Dimensions - Motor Exhaust Damper for Gas Appliances

		3"	4"	6"	8"	10"	12"	14"	16"	18"
Tube Size (inch)	A	3.13"	3.92"	5.89"	7.85"	9.82"	11.79"	13.76"	15.73"	17.70"
Length (inch)	B	7.56"	7.32"	7.32"	7.32"	7.32"	7.32"	12.95"	12.95"	12.95"
Total Height (inch)	C	9.73"	10.53"	12.50"	14.47"	16.44"	18.41"	20.41"	22.19"	24.15"
Total Weight (Lbs.)		4.52	4.78	5.47	6.66	7.65	8.73	17.06	22.88	27.00

