

Technical Data Sheet

Elbows with Knock Plates

(Degree) KP

Product Line

-90KP, -87KP, -45KP, etc...



Applications

For all DWKL and SWKL variations, diameters, and UL Listings.

UL Listings (and ULC)

All applicable UL and ULC Listings for all variations of DWKL & SWKL.

Purpose

Installation ease when using elbows in a Jeremias conical joining system.

Current standard with 3" and 4" SWKL residential market.

Materials / Construction

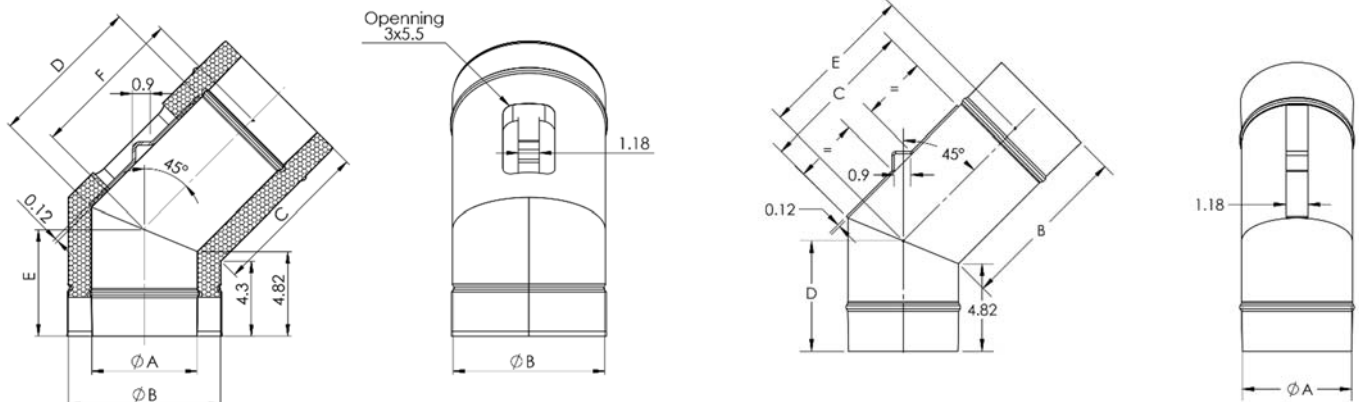
7-gage stainless steel plate is factory welded to the inner pipe.

DWKL has a removable door with latch. Weather capable door is special order.

Installation Details

Elbows incorporates a center plate that can be used for tapping during assembly.

On DWKL variations: open door, remove insulation nugget, tap knock plate till DWKL joint is engaged, replace insulation, close and latch door.



Technical Data Sheet

Elbows with Knock Plates

(Degree) KP
Product Line
 -90KP, -87KP, -45KP, etc...

