

TECHNICAL DATA SHEET

Single Wall All Fuel Exhaust System

SWAF

PRODUCT LINE

SWAF - Single Wall All Fuel Exhaust System

APPLICATIONS

- Boiler Stack for commercial/industrial boilers or appliances that do not exceed 1400°F flue gas temperatures
- Special Gas Vent for condensing boilers and water heaters



PURPOSE

- Easiest and Fastest joint assembly on the market using innovative and industry first technology
- No vee bands means faster and easier installation

UL AND ULC LISTINGS

1. UL-103 Standard, Building Heating Appliance Chimney (Industrial Type 540°C Chimney)
2. UL-1978 Standard, Grease Duct (ULC-S662 Standard for Factory-Built Grease Ducts)
3. UL-1738 Standard, Venting Systems for Gas-Burning Appliances, Categories II, III & IV (ULC-S636 Standard for Type BH Gas Venting Systems)

MATERIALS

- 444 or 316L stainless-steel
- All supports and accessories are stainless-steel

CONNECTION/INSTALLATION DETAILS

2.2" overlapping joint with Patent-Pending light-weight technology, and double female socket permitting fastest alignment/installation on the market

1. Use supplied silicone sealant to make the complete seal
2. Push the male/female ends together
3. Install the outer locking band to ensure correct engagement

FEATURES

- Factory CAD designs for installation ease
- 100% Stainless-Steel with maintenance-free Limited Lifetime Warranty



SWAF

PRODUCT LINE

SWAF - Single Wall All Fuel Exhaust System



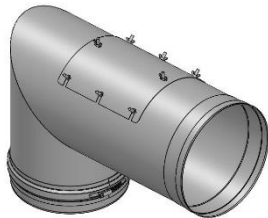
SPECIFICATIONS

Diameters	6", 7", 8", 9", 10", 11", 12", 13", 14", 16", 18", 20", 22", 24", 26", 28", 30", 32", 34", & 36"
Available Lengths	9", 12", 18", 24", 30", 36", 42", & 48" (or any fixed length between)
Available Fittings	Any elbow or tee, over 80 catalog fittings per each diameter
Available Accessories	All-stainless supports, guides, hangers, adapters - over 25 accessories per diameter

SMART FITTINGS & ACCESSORIES

Besides the smart cut-to-fit technology, Jeremias uses smart fittings and accessories specifically designed for Grease Ducts. These include:

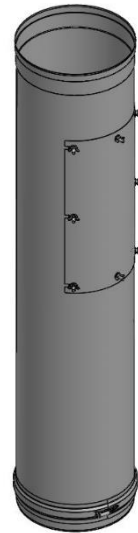
- 87° elbow with built-in access panel
- 45° elbow with built-in access panel
- Common wye with reduction branches
- No-weld hood connections



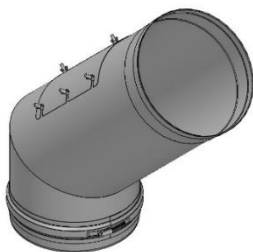
87-Degree Elbow with Access



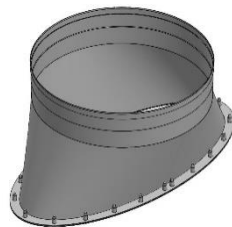
Increasing Bull Head Tee



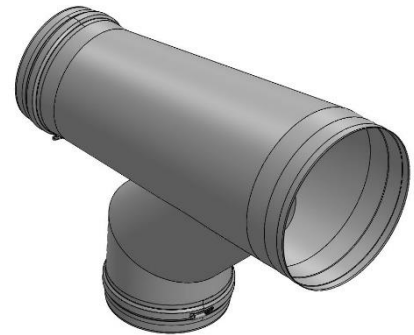
In Line Access Length



45-Degree Elbow with Access



No-Weld Hood Adapter



Increasing Boot Tee

