

TECHNICAL DATA SHEET

Elbows with Knock Plates

(Degree) KP

PRODUCT LINE

FSA -90KP, -87KP, -45KP, etc



APPLICATIONS

- Intended for all DWKL and SWKL variations, diameters, and UL Listings

UL AND ULC LISTINGS

- All applicable IL and ILC Listings for all variations of DWKL & SWKL

PURPOSE

- Liner(s) Installation ease when using elbows in a Jeremias conical joining system
- Current standard with 3" and 4" SWKL residential market

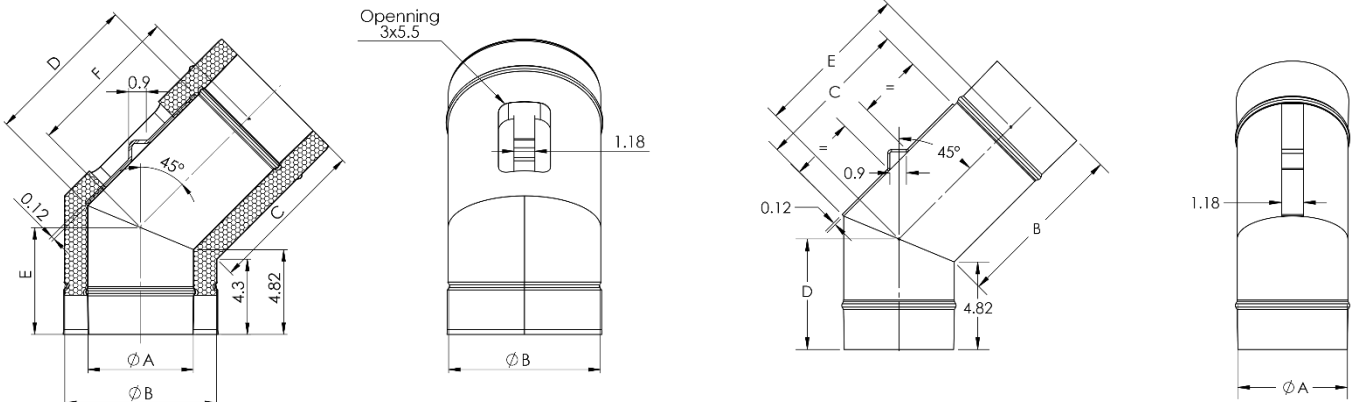


MATERIALS / CONSTRUCTION

- 7-gauge stainless-steel plate is factory welded to the inner pipe
- DWKL has a removable door with latch
- Weather capable door is available by special order

INSTALLATION DETAILS

- Elbows incorporate a center plate that can be used for tapping during assembly
- On DWKL variations: open door, remove insulation nugget, tap knock plate till DWKL joint is engaged, replace insulation, then close and latch door



TECHNICAL DATA SHEET

Elbows with Knock Plates

(Degree) KP

PRODUCT LINE

FSA -90KP, -87KP, -45KP, etc

