

DWKH

PRODUCT LINE

DWKH - Draw Bands for Double Wall Conical Systems

APPLICATIONS

- Optional joint connection for all variations of DWKL installed in a horizontal configuration
- The conical connection is pulled together using latches and bolt systems, then insulation is added, and the Locking Band covers the joint
- Intended only for indoor, horizontal installations



PURPOSE

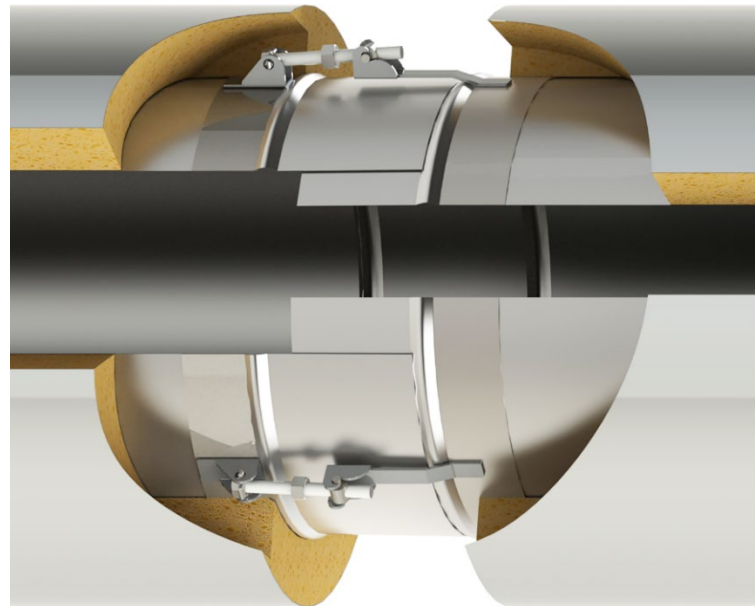
Eliminates the need to tap together Double-Wall Conical (DWKL) joints in the field

UL AND ULC LISTINGS

All UL and ULC listings for DWKL, DWKL-Vt, DWKL-Lt, and DWKL-Rx variations are applicable

MATERIALS

- Made of all 304 Stainless Steel



CONNECTION/INSTALLATION DETAILS

- Conical 2.2" overlapping joint
- Use KL-Paste, to help facilitate an easy engagement
- Does not use silicone or sealant to make the high-pressure seal

FEATURES

- All stainless-steel materials with 25-year Warranty
- Leak-proof, conical high-pressure joints
- Use/Intermix DWKH and DWKL
- Same appearance as DWKL



TECHNICAL DATA SHEET

Draw Bands for Double Wall Conical

DWKH



PRODUCT LINE

DWKH - Draw Bands for Double Wall Conical Systems

PRODUCT SPECIFICATIONS

DWKH - Draw Bands for Double Wall Conical Systems

This diagram is for all diameters offered.

