

TECHNICAL DATA SHEET

Double Wall Fiber Insulated Special Gas Vent

DWGV+1, +2

PRODUCT LINE

DWGV+1, +2 - Double Wall Fiber Insulated Special Gas Vent



APPLICATIONS

- Designed specifically for the condensing boiler market where ease of assembly, overall time invested, and price are the main objective
- Double Wall Special Gas Vent in 3"-12" diameters use a gasket to seal the male-to-female joint with an added external ½" rolled flange and vee band connection to secure it
- Outer jacket is secured by locking band
- For use with temperatures not exceeding 550°F continues and pressures not exceeding 20" WC
- DWGV+2 gives you insulation value equal to R8 insulation for exterior routings



MATERIALS

- Inner liner made of UL-1738 Listed corrosion resistant high-grade stainless steel
 - 3" through 12" = 0.020" thick 316L or 444 stainless steel
 - 14" through 36" = 0.035" thick 316L or 444 stainless steel
 - 38" through 48" = 0.048" thick 316L stainless steel
- Seal System
 - 3" through 12" = Male-to-female with 3-ribbed gasket
 - 14" through 48" = Siliconed flange protected behind overlapping male-to-female inner
- Fiber Insulation
 - 3" through 12" = 1" or 2" fiber insulation
 - 14" through 48" = 1.25" or 2.25" fiber insulation
- Outer jacket made of 304 stainless steel
 - 3" through 12" = 0.020" thick
 - 14" through 24" = 0.025" thick
 - 26" through 48" = 0.035" thick

All Supports and accessories are stainless steel

UL and ULC LISTINGS

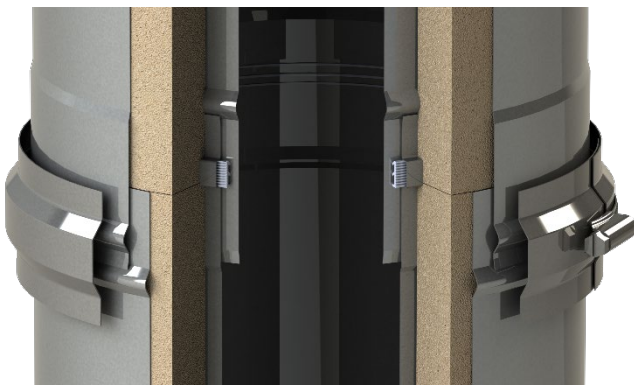
1. UL-1738 Standard, Venting Systems for Gas-Burning Appliances, Categories II, III, & IV (ULC-S636 Standard for type BH Gas Venting Systems)
2. Class IIC & IIB - PP (Polypropylene), CVPC, and/or PVC applications at 230°F and/or 194°F maximum flue gas temperatures and zero clearance to combustibles
3. UL 441 (ULC-S605) Type B Gas Vent

FEATURES

- All stainless-steel construction with a Limited Lifetime Warranty
- Assurance of the finest quality and reliability
- Quick and easy installation
-

CONNECTION/INSTALLATION DETAILS

- 3" through 12"
 1. Lube the gasket on the female end
 2. Insert the male into the female
 3. Push joint together
 4. Slide Locking Band over beads and tighten
 - Industry leading 2.28" overlapping joint keeping flue gases away from gasket
- 14" through 48"
 1. Apply silicone to the rolled flange
 2. Insert the male into the female
 3. Push joint together
 4. Install and tighten the vee band
 5. Slide outer Locking Band over matching grooves and tighten
 - Industry leading 1.25" overlapping joint keeps flue gasses away from the siliconed flange connection



TECHNICAL DATA SHEET

Double Wall Fiber Insulated Special Gas Vent



DWGV+1, +2

PRODUCT LINE

DWGV+1, +2 - Double Wall Fiber Insulated Special Gas Vent

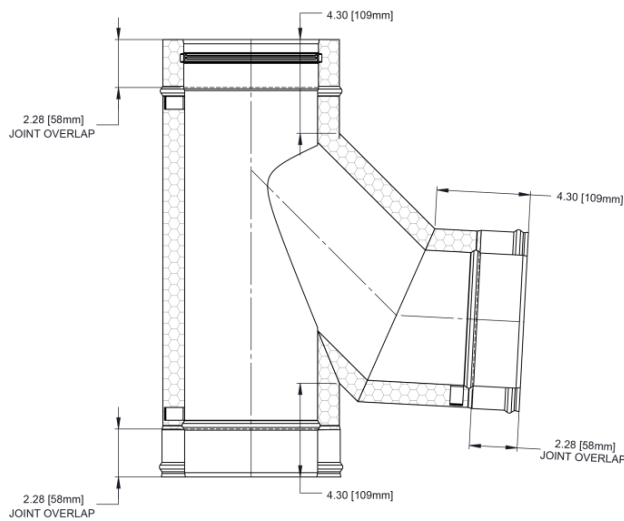


SPECIFICATIONS

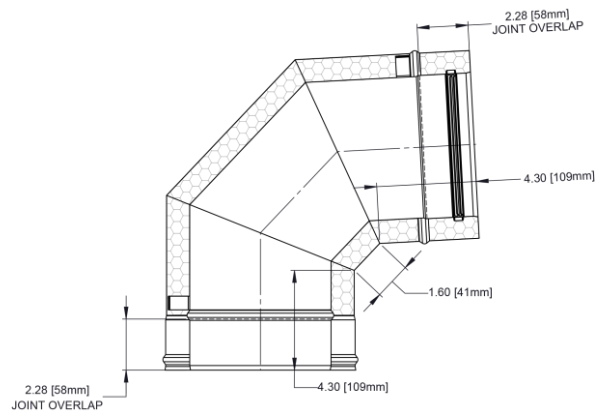
Diameters	3", 4", 5", 6", 7", 8", 9", 10", 11", 12", 13", 14", 16", 18", 20", 22", 24", 26", 28", 30", 32", 34", 36", 38", 40", 42", 44", 46", & 48"
Available Lengths	9", 12", 18", 24", 30", 36", 42", & 48" (or any fixed length between) *Maximum Length for 18" and above is 36"
Available Fittings	Any elbow or tee, over 40 catalog fittings per each diameter
Available Accessories	All-stainless supports, guides, hangers, adapters - over 20 accessories per each diameter

CONTROLLING DIMENSIONS

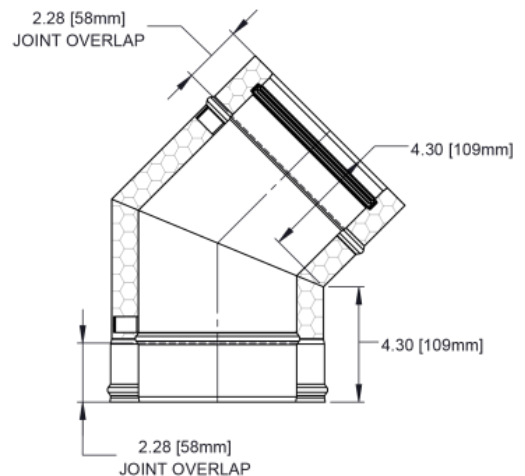
- Shows the minimum (and standard) inside gore dimensions for fittings
- Use these dimensions when ordering any special or custom part
- Jeremias encourages custom built items to provide the best solutions to our customers



87° BOOT TEE



87° ELBOW



45° ELBOW

