

# Technical Data Sheet

## Draw Bands for Double Wall Conical

### DWKH

#### Product Line

DWK - Draw Bands for Double Wall Conical Systems



#### Applications

DWKH is an optional joint connection for all variations of DWKL installed in the Horizontal configuration.

The conical connection is pulled together using latches and bolt systems, then insulation is added and the normal Locking Band covers the joint.

For indoor and horizontal installations only.



#### Purpose

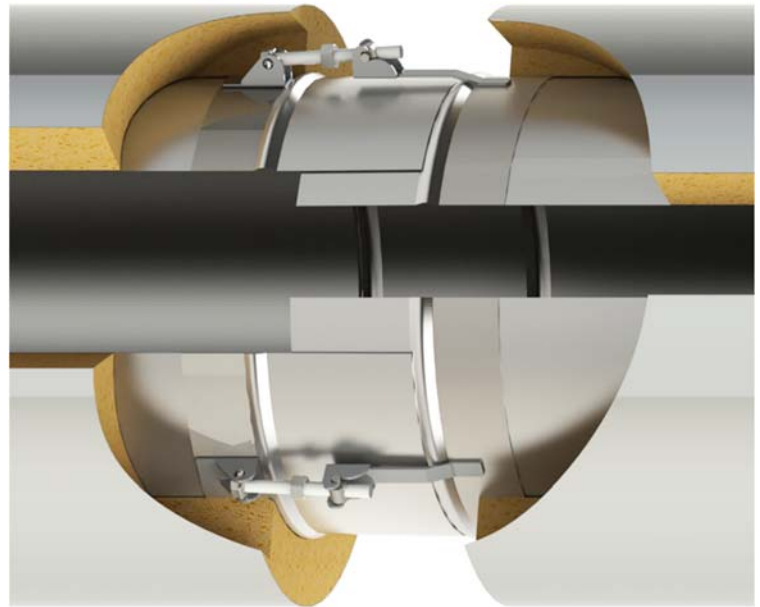
Eliminates the need to tap together Double Wall conical joints in the field.

#### UL Listings (and ULC)

All applicable UL and ULC Listings for each DWKL, DWKL-Vt, DWKL-Lt, and/or DWKL-Rx variations.

#### Materials

Made of all 304 stainless steel.



#### Connection / Installation Details

Conical 2.2" overlapping joint.

Use KL-Paste, a ceramic and mineral oil based manufacturing paste, to help facilitate an easy engagement.

Does not use silicone or sealant to make the high pressure seal.

#### Features

- All-stainless with 25-year warranty.
- Leak proof conical high pressure joints.
- Use/Intermix DWKH and DWKL.
- Exact external appearance as DWKL.

# Technical Data Sheet

## Draw Bands for Double Wall Conical

### DWKH

#### Product Line

DWK - Draw Bands for Double Wall Conical Systems



### Product Specifications

DWKH - Draw Bands for Double Wall Conical Systems

All Diameters.

