

# Technical Data Sheet

## Double Wall Commercial Kitchen Exhaust

### DWCK-ZC

#### Product Line

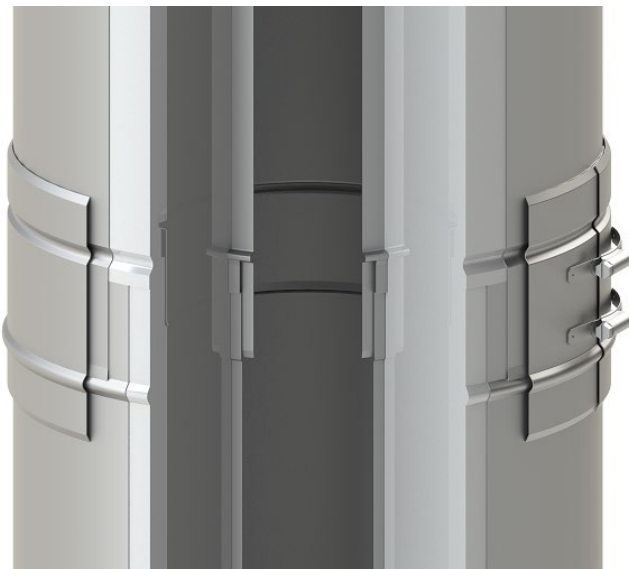
DWCK-ZC - Double Wall Commercial Kitchen Exhaust and 2-Hour Fire Resistance Shaft/Enclosure Assembly



#### Application

Stainless steel duct for connecting cooking appliances and kitchen hoods to the outdoors under negative or positive pressure.

Design eliminates welding, second insulation trade, third trade for a fire-rated shaft, plus all the lengthy inspections in the field. Provides UL/ULC Listed and Certified all-in-one exhaust solutions.



#### Purpose

Factory built eliminates welding, insulation, and building a fire rated shaft in the field.

Easiest and Fastest joint assembly on the market using innovative and industry first technology. No V bands means faster and easier installations.

Due to the unique joint design, every pipe length can be cut-to-fit in the field - it is possible to do any project using only 48" long pipe lengths! We do offer Cut Lengths with a clamshell outer jacket to make it easy on installers.

Quick and easy inspections.

#### UL and ULC Listings

- UL-1978 Standard, Grease Duct (ULC-S662 Standard for Factory-Built Grease Ducts)
- UL-2221 Standard, Fire Resistive Grease Duct Enclosure Assemblies
- Additional UL/ULC 20" W.C. Pressure Listing

#### Materials

- Made of all stainless steel (both inner and outer jacket), thickness per UL-1978 Listing
- 3.25" high density ceramic fiber insulation
- All supports and accessories are stainless steel

#### Connection & Installation Details

2.2" overlapping joint with Patent-Pending light weight technology and a double female socket permitting fastest alignment/installation on the market:

1. Use supplied silicone sealant to make the complete seal
2. Push the male/female ends together
3. Install the locking band to assure correct engagement

#### Features

- All-in-one grease duct and 2-hour fire rated shaft/enclosure assembly
- Only 1/16 inch per foot slope is required
- Factory CAD designs for installation ease
- All lengths are field cuttable for maximum flexibility
- 100% stainless steel with Limited Lifetime Warranty
- Smooth flow and known resistance for perfected factory pressure calculations

# Technical Data Sheet

## Double Wall Commercial Kitchen Exhaust

### DWCK-ZC

#### Product Line

DWCK-ZC - Double Wall Commercial Kitchen Exhaust and 2-Hour Fire Resistance Shaft/Enclosure Assembly



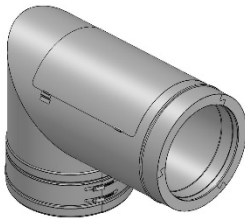
### Product Specifications

DWCK-ZC - Double Wall Commercial Kitchen Exhaust Ductwork and 2-Hour Fire Resistance Shaft/Enclosure Assembly

<b>Diameters</b>	6, 7, 8, 9, 10, 11, 12, 13, 14, 16, 18, 20, 22, 24, 26, 28, 30, 32, 34, & 36 (use Model DWFL-ZC for diameters 38" through 48")
<b>Available Lengths</b>	9", 12", 18", 24", 30", 36", 42", & 48" (or any fixed length between)
<b>Available Fittings</b>	Any elbow or tee, over 80 catalog fittings per each diameter
<b>Available Accessories</b>	All-stainless supports, guides, hangers, adapters - over 25 accessories per each diameter

### Smart Fittings & Accessories

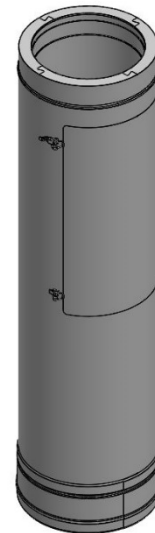
Besides the smart cut-to-fit technology, Jeremias uses smart fittings and accessories specifically designed for Grease Ducts; 87-degree elbow with built in access panel, 45-degree elbow with built in access panel, common wye with reduction branches, and no-weld hood connections.



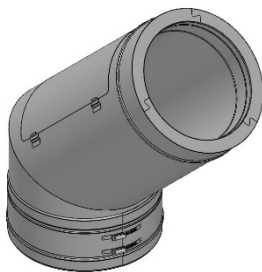
87-Degree Elbow with Access



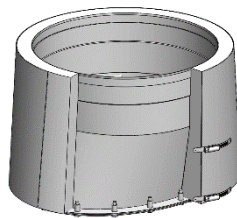
Increasing Bull Head Tee



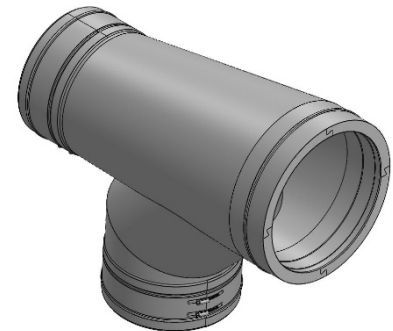
In Line Access Length



45-Degree Elbow with Access



No-Weld Hood Adapter



Increasing Boot Tee